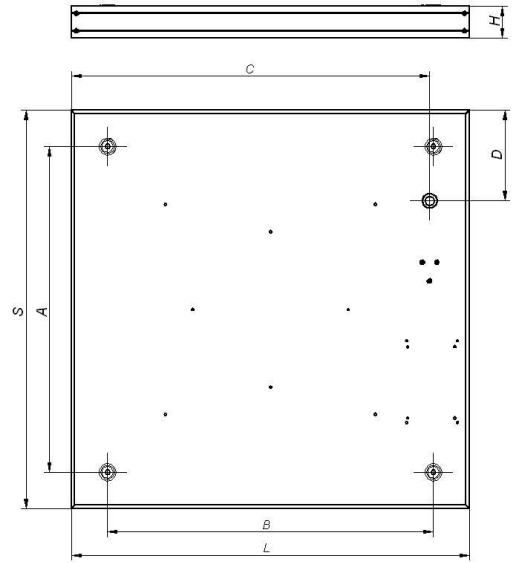


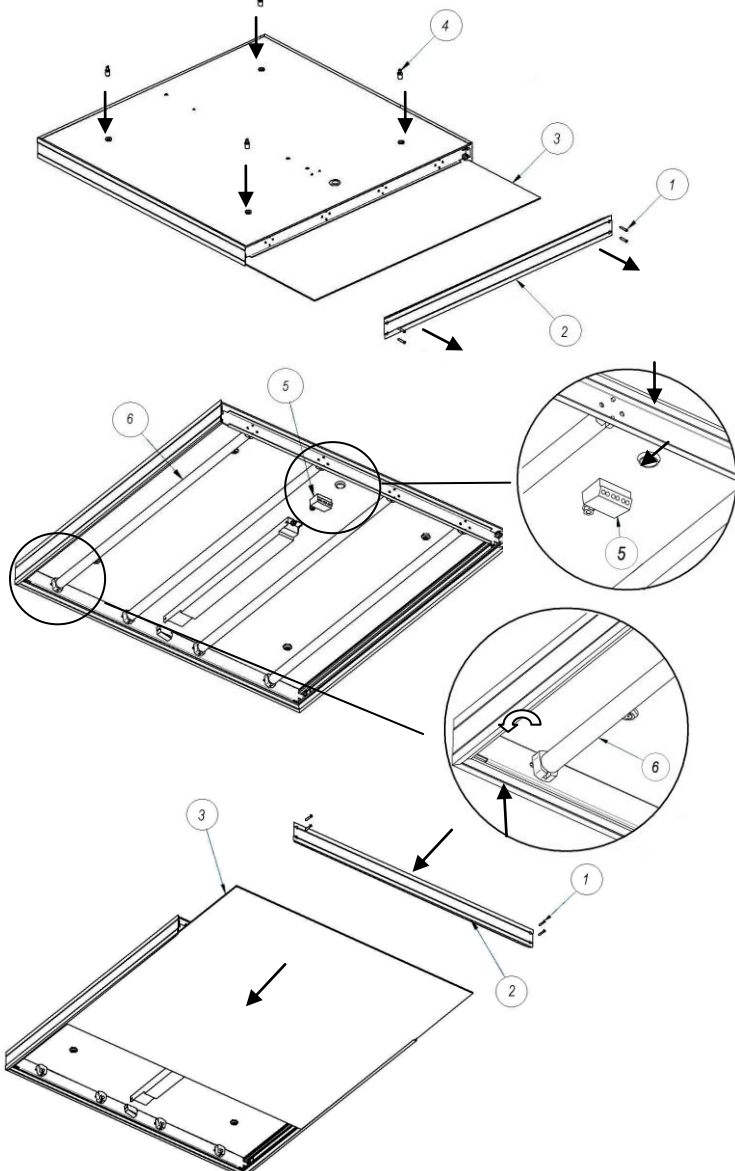
# VALOISTE - PELLO LED



## 230V/50Hz LED

Power	L [mm]	S [mm]	H [mm]	A [mm]	B [mm]	C [mm]	D [mm]	Waga [kg]
41W LED ceiling	550	550	45	450	450	495	s	3,9
36W LED ceiling	1050	250	45	190	920	220	s	4,2
44W LED ceiling	1300	250	45	190	1170	220	125	5,0

s - hole in the axis of symmetry of the housing



- carefully take the fixture out of box and put in on a stable surface
- screw the four screws from the side of a fixture (1) take the board off (2) and carefully take the plate out (3).
- screw the sleeves into the line regulators (4), available in the set with the fixture (suspended fixtures).
- pull the feeding cable through the hole in the base of the fixture and connect it as shown on a cube (5)
- install the fixture to the ceiling with a 4 dowels (surface mounted fixtures)
- install the light sources (6) slip them into the sockets and turn by 90 degrees (doesn't apply to LED sources)
- put the plate back on its place (3), screw the board of a fixture on (2) with four screws (1).

### Important warnings:

The manufacturer cannot be considered liable for any damages deriving from improper, wrong and unreasonable use of the fitting.

Luminaries may be installed by qualified personnel only.

Any manipulation inside the luminaire when power supply is on causes the risk of electric shock.

Manufacturer is not responsible for any flaws caused by avoid using this manual.

Manufacturer reserves a right to change the construction of the product. Do not assembly in places without air circulation.

To guarantee safety of fixture functions, please assembly according to instruction.

The European Directive 2002/96/EC on waste electrical and electronic equipment, requires that electric and electronic devices must be disposed of in the normal household waste. The crossed out wheeled bin is reproduced in order to remember obligations towards separately collection. For correct disposal, please use authorized waste disposal facilities or returned to the distributor at the date a new lighting fitting is purchased. Lamps, if disposed together with the lighting fitting, shall not be broken up since they contain substances which are highly polluting for the environment. Unauthorized disposal of the foregoing waste material is punishable by law.